



# PrimeSlitter

Station type slitter

# PrimeSlitter CHRO BlackLine

**Universal applications for flexibility and output.**

The market and your customer requirements are ever changing and the requirement is to increase your overall flexibility and efficiency? When you think about the conversion of films, you always need to think in terms of individual solutions. With the new trendsetting PrimeSlitter you are optimally positioned for your challenges.

**Maximum performance and modularity.**

We combine strong core features to guarantee the required maximum performance with new, smart and exciting solutions. Following the optimum characteristics of the production line, the PrimeSlitter will be configured tailored to your film specifications to achieve the highest output with perfect quality. Use our extensive solution packages to realize your requirements in a profitable production.

- Reduce set-up times
- Ease your operation
- Increase quality
- Realize smart use of data

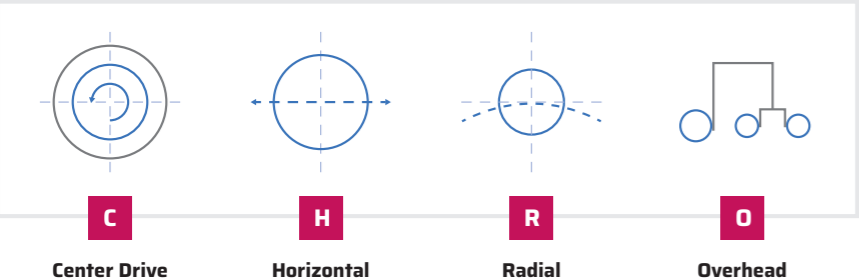
We certainly have the right solution for you.

Performance and processing range. A definite strength of your PrimeSlitter.

## The benchmark in primary slitting.

**Technical Data**

<b>Materials</b> BOPP, BOPET	<b>Parent roll diameters</b> 1,600 · 1,800 mm	<b>Slitting widths</b> 300 - 4,000 mm
<b>Material thickness</b> 10 - 125 µm	<b>Finished roll diameters</b> 1,200 · 1,500 mm	<b>Winding cores</b> 3" · 6" · 8" · 10"
<b>Material widths</b> 8,700 · 10,600 mm	<b>Finished roll weights</b> 2 · 3 · 4 · 6 · 7 tons	<b>Machine speed</b> 1,200 · 1,500 m/min
<b>Slitting systems</b> Razor blade cut · burst cut		



**Faster ramp up - more output**

A new set of web control functions supports your production staff to achieve the required quality level faster along with sustainability.


**Heavy load - fast and safe**

Save up to 30% valuable time when changing parent rolls and be less dependent on crane availability with the combined parent roll/core and splicing solution.

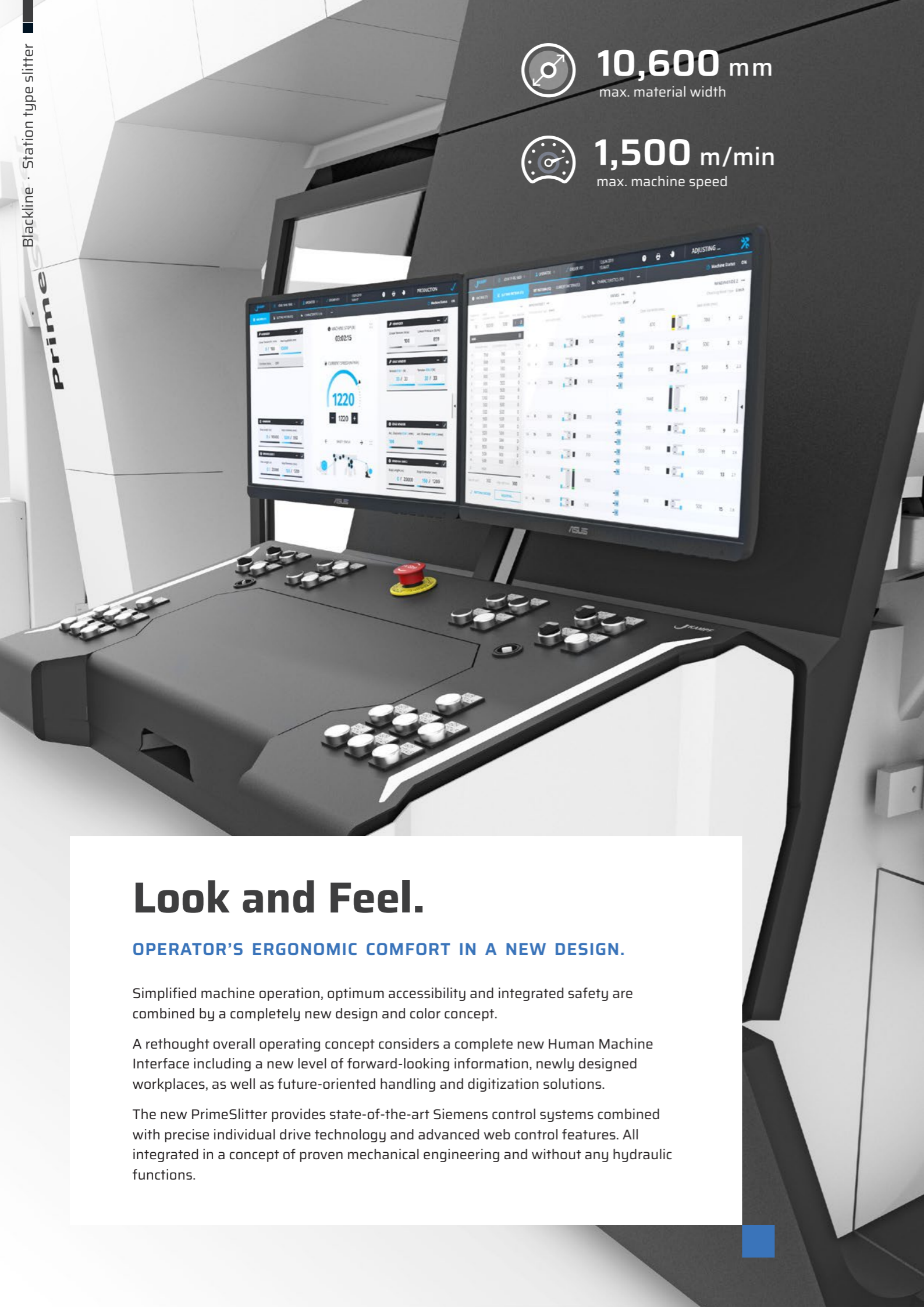
**Uptime is the focus. The sum of solutions makes the difference.**

Change settings - The clever way to save time and improve ergonomics with new embeddable solutions for:

- Chucking heads
- Contact roller
- Slitting tools
- Finished roll trays
- Set-up information

 **10,600 mm**  
max. material width

 **1,500 m/min**  
max. machine speed



## Look and Feel.

### OPERATOR'S ERGONOMIC COMFORT IN A NEW DESIGN.

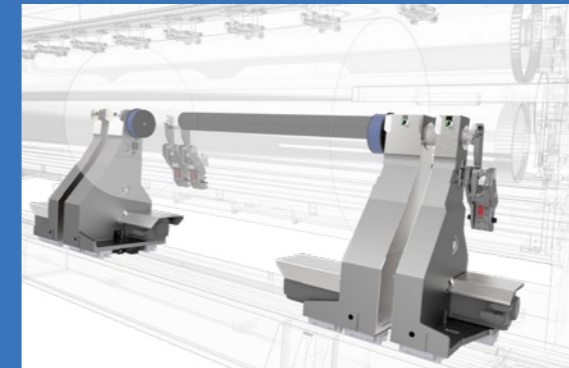
Simplified machine operation, optimum accessibility and integrated safety are combined by a completely new design and color concept.

A rethought overall operating concept considers a complete new Human Machine Interface including a new level of forward-looking information, newly designed workplaces, as well as future-oriented handling and digitization solutions.

The new PrimeSlitter provides state-of-the-art Siemens control systems combined with precise individual drive technology and advanced web control features. All integrated in a concept of proven mechanical engineering and without any hydraulic functions.

## A modular system.

CUSTOMIZED FOR YOUR APPLICATION.



### Anti Tin Canning System (patent pending)

The smart performance package to achieve higher production speeds for wide rolls. Speed increase up to 30%.



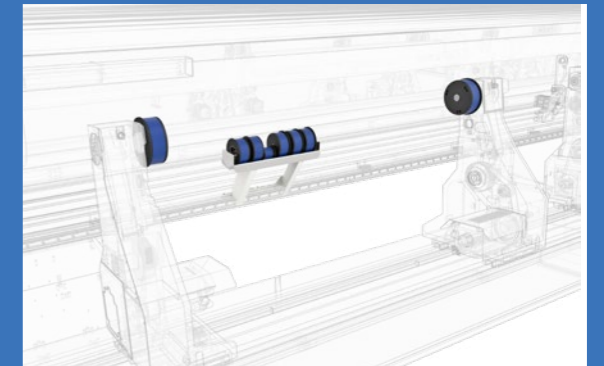
### Contact roller handling and position indication

Useful support for easier and safer workflows.



### Chucking head

The new quick clamping system for chucks enables tool-free replacement in a matter of seconds.



### Chucking head handling

Have your hands free for a quick and orderly process.



### Splicing table

New time-saving and operator-friendly splicing table saving up to 30% downtime.



### Automation

We offer high efficient automation solutions for optimum use of your PrimeSlitter.

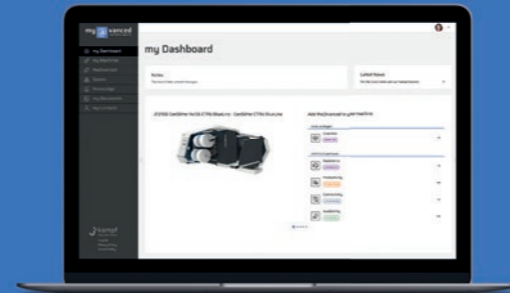
# DIGITAL CUSTOMER SOLUTIONS

The digital **customer portal my@vanced** and the **integrative platform the@vanced** make change accessible: with digital collaboration, intelligent production, and continuous evolution of know-how.

Connecting  
**people.**  
Integrating  
**machines.**

my @ vanced  
customer portal

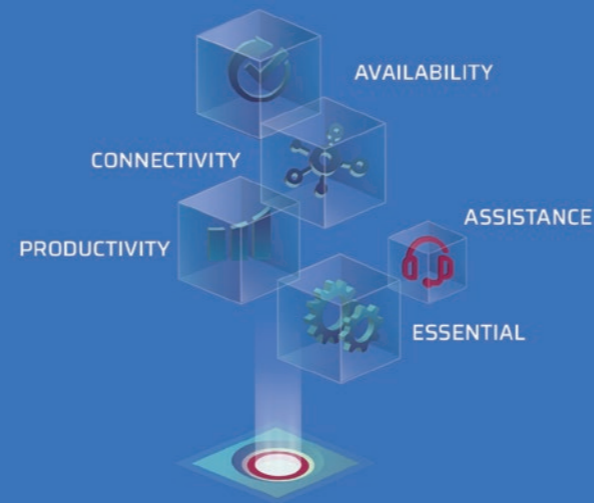
**my@vanced** is our **digital customer portal**:  
**Up-to-date information, practical knowledge,**  
**easy spares identification, online shop,** and the  
certainty to have all necessary **information in**  
**one place** – at any time.



NEXT GENERATION  
**PRODUCTION**

the @ vanced  
integrative platform

**the@vanced** is our digital  
integrative platform. It connects  
value chain systems in the field  
of webshaped materials pro-  
cessing. With the **five packages**  
**Essential, Assistance, Availability,**  
**Productivity and Connectivity**  
it allows scalable solutions from  
using our **Remote Service** to a  
full integration into existing **MES**  
or **ERP** systems.



Visit our website for more information:  
[www.kampf.de/digital-customer-solutions](http://www.kampf.de/digital-customer-solutions)



## Your partners worldwide

### Germany

**Kampf GmbH**

Mühlener Straße 36-42 • 51674 Wiehl  
fon +49 2262 81-0  
info@kampf.de  
www.kampf.de

### United Kingdom

**Atlas Converting Equipment Ltd.**

8 Wolseley Road, Woburn Road Industrial Estate  
Kempston • Bedford, MK42 7XT  
fon +44 1234 852553  
sales@atlasconverting.com  
service@atlasconverting.com  
www.atlasconverting.com

### USA

**Kampf Machinery Corporation**

Kennedy Technology Center  
900 River Street, Unit H • Windsor, CT-06095  
fon +1 860 640 0040 • info@kampfusa.com  
www.kampfusa.com

**Atlas Converting North America, Inc.**

9801-F Southern Pine Boulevard • Charlotte, NC 28273  
fon +1 704 587 2450  
sales.usa@atlasconverting.com  
service.usa@atlasconverting.com  
www.atlasconverting.com

### China - Hong Kong

**Kampf (Hong Kong) Co. Ltd.**

Room 803, 8/F • Wanchai Commercial Centre  
194-204 Johnston Road, Wanchai • Hong Kong  
fon +852 2882 1136  
kampfhk@kampf.com.hk

### China - Shanghai

**Kampf Machinery (Shanghai) Co. Ltd.**

302-304, Floor 3 • No. 8, Sunnyworld Center  
Lane 1518, South Yumin Road  
Jiading District • 201801 Shanghai  
fon +86 21 5951 8030  
kampf@kampf-cn.com

### India

**Kampf Machinery India Pvt. Ltd.**

413, fourth floor, Atlantis Heights Sarabhai  
Compound, Near Genda Circle • 390007 Vadodara, Gujarat  
fon +91 962 404 4922  
service@kampf-india.com

**Kampf Machinery India Pvt. Ltd.**

Office no. 1121, Tower no. A, Plot No. A-40, ITHUM Building  
Sector-62 • 201309 Noida, Uttar Pradesh  
fon +91 96240 89896  
sales@kampf-india.com